

October 1 2008



The company name
was changed to
TOKYO KEIKI INC.

2-16-46, Minami-Kamata, Ohta-Ku,
Tokyo 144-8551, JAPAN
TEL.+81-3-3732-2111
FAX.+81-3-3736-0261
<http://www.tokyo-keiki.co.jp/>

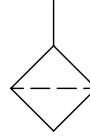
Accessories

	Page
● Inlet Strainers, OFS	R 2
● Return Line Filters, OFR	R 3
● Air Bleed Valves, ABT	R 5
● Gauge Cock, GT	R 6
● Oil Level Indicators	
With Thermometer, OLG	R 7
● Mini-Fan Coolers, MF	R 8

Inlet strainers OFS



Functional Symbol



- The OFS inlet strainer is installed on the pump suction side inside tank. It prevents ingress of foreign particles to protect pump.

Model Code

OFS - 06 - JA - 10 - J

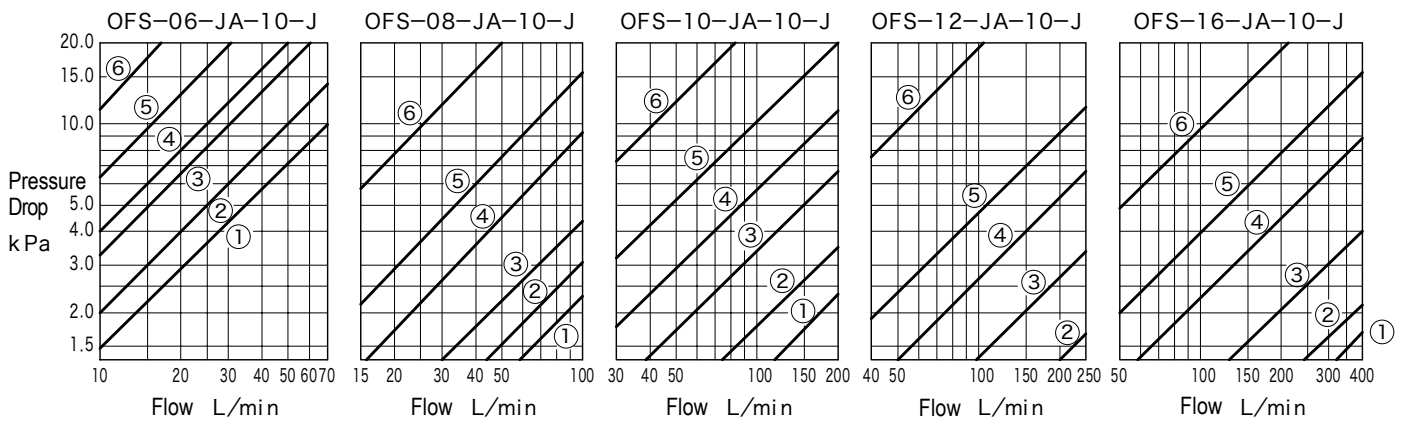
1 2 3

- 1 Inlet strainer
- 2 Size
See 'Specifications'
- 3 Design no.

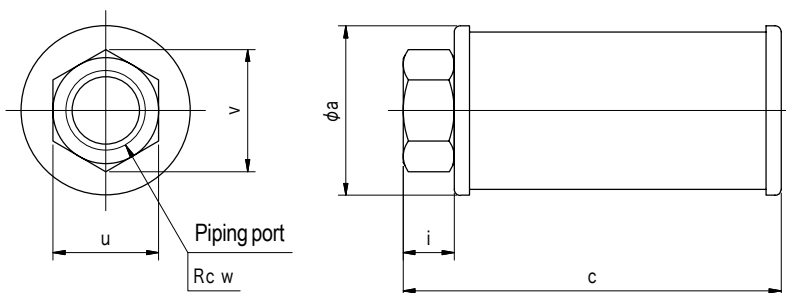
Specifications

Model	Port Dia. Rc	Rated Flow L/min	Filtration μm	Weight kg
OFS-06	3/4	35	150	0.2
OFS-08	1	60		0.4
OFS-10	1-1/4	90		0.6
OFS-12	1-1/2	140		0.8
OFS-16	2	240		1.3

Performance Curves



Dimensions



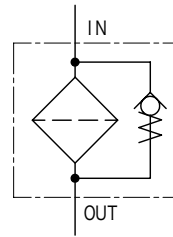
Dimensions

Model	a	c	i	u	v	w
OFS-06	56	125	17	35 ⁰ _{-0.35}	40.4	3/4
OFS-08	80	190	19	46 ⁰ _{-0.4}	53.1	1
OFS-10	100	233	23	58 ⁰ _{-0.5}	67.0	1-1/4
OFS-12	119	258	25	63 ⁰ _{-0.6}	72.7	1-1/2
OFS-16	147	333	30	77 ⁰ _{-0.7}	88.9	2

Return line filters OFR



Functional Symbol



- The OFR is used in the return line of hydraulic systems. A bypass valve is incorporated in the OFR which is actuated to bypass flow when the pressure drop increases.

Model Code

OFR - 08 F - 10

1 2 3 4

- 1 Return line filter
- 2 Size
See 'Specifications'
- 3 Connection
F: Flange connection

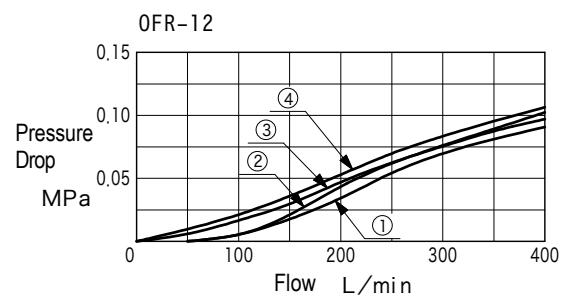
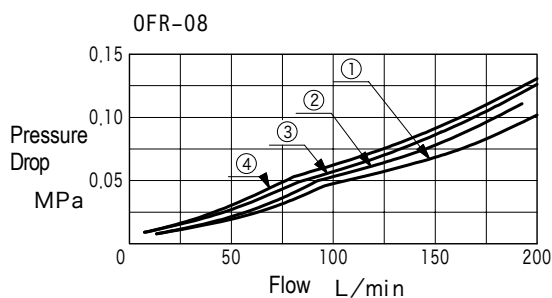
- 4 Filtration level
10:10 μm
25:25 μm

Specifications

Model	Size	Max. Inlet Pressure MPa	Rated Flow L/min	Bypass Valve Cracking Pressure MPa	Weight kg
OFR-08	1	1.5	80	0.06 ※	2.7
OFR-12	1-1/2		200		6

※: Values at rated flow.

Performance Curves

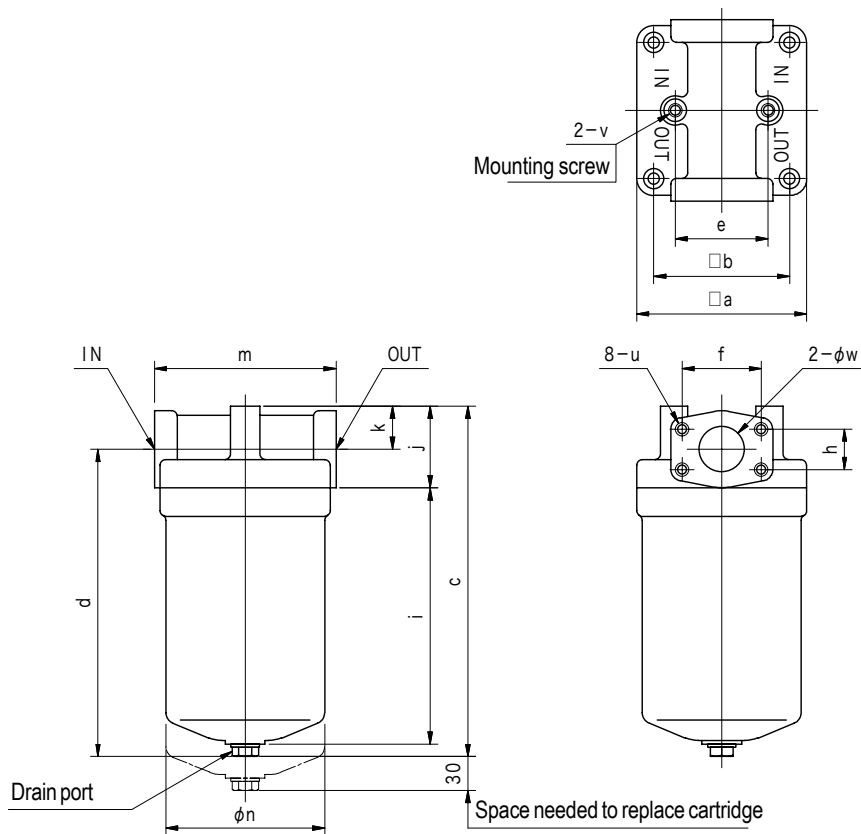


- ① Viscosity 22 mm^2/s , filtration level 25 μm
- ② Viscosity 22 mm^2/s , filtration level 10 μm
- ③ Viscosity 68 mm^2/s , filtration level 25 μm
- ④ Viscosity 68 mm^2/s , filtration level 10 μm

Operating Considerations

- Confirm IN, OUT connections when piping. Pipe directly to tank to avoid back pressure at the OUT port.
- When filter cartridge is replaced, mount drain port toward bottom as contaminated oil may be discharged.
- Filter cannot be used with water glycol fluid.

Dimensions



Dimensions

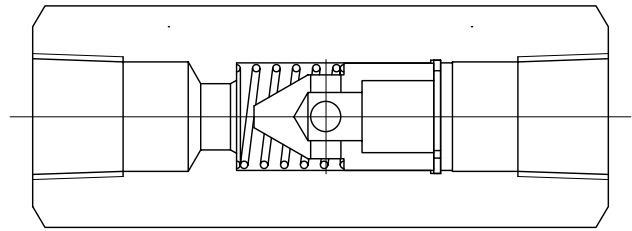
Model	w	a	b	c	d	e	f	h	i	j	k	m	n	u	v
OFR-08	28	120	95	229	197	60	52.4	26.2	156	64	32	128	106	M10 20deep	M10 20deep
OFR-12	40	150	120	309	271	82	69.9	35.7	226	72	38	160	140	M12x1.25 24 deep	M12x1.25 24 deep

Piping Flange

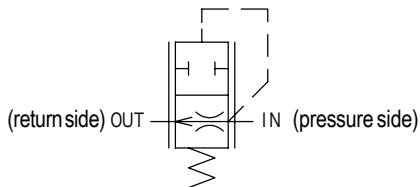
Filter Model	Flange Model	
	Threaded	Welded
OFR-08	FL1-8-08P-10-JA-S4-J	FL1-8-08W-10-JA
OFR-12	FL1-12-12P-10-JA-S4-J	FL1-12-12W-10-JA

- Flange mounting bolts (M10 for OFR-08, M12 X 12.25 for OFR-12) are supplied separately.
- Flanges are not included with filter unit.

Air bleed valves ABT



Functional Symbol



- The ABT valve enables bleeding of air from hydraulic circuits.
- The valve closes when circuit pressure exceeds 0.14MPa.

Model Code

ABT - 03 - 10 - JA - (S4) - J

1 2 3 4

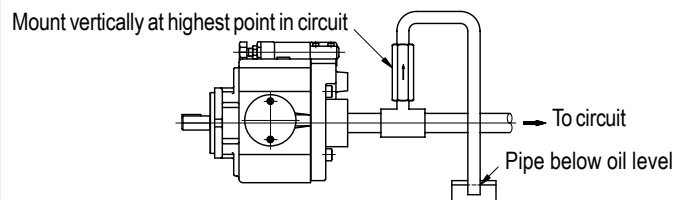
- 1 Air bleed valve
 - 2 Size
 - 3 Design no.
 - 4 Special suffix
- Omitted for 11 L/min min. flow to close valve
S4: 0.3 L/min min. flow to close valve

Specifications

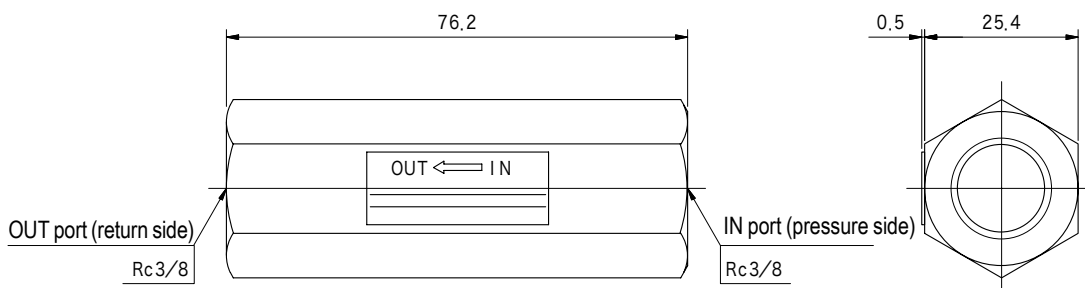
Max. operating pressure :21MPa
Weight :0.2kg

Operating Considerations

- Valve should be located at highest position in circuit and mounted vertically.
- Return line should be connected directly to tank and piped below oil level.
- As valve is not a no-leak valve, always incorporate a return line.



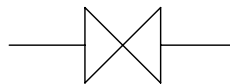
Dimensions



Gauge cock GT



Functional Symbol



Model Code

GT-3 (M)

1 2 3

1 Gauge cock

2 Pressure gauge port diameter

2:G1/4

3:G3/8

4:G1/2

3 Port connection

Omitted for female thread, Rc 1/4

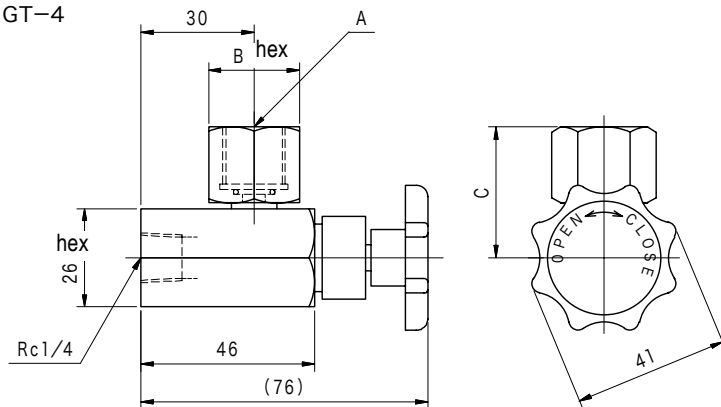
Male thread R 1/4 (for GR-3M, GT-4M)

Specifications

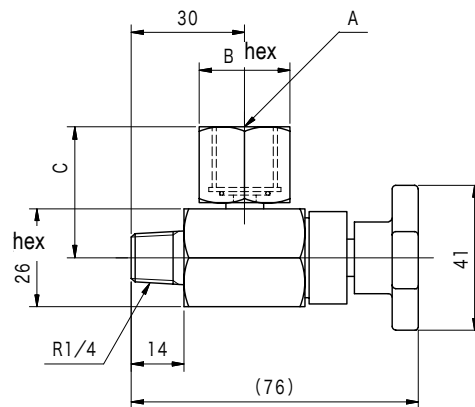
Max. operating pressure: 28MPa

Dimensions

GT-2
GT-3
GT-4



GT-3M
GT-4M



Dimensions

Model	Description	A	B	C
GT-2	1/4 Gauge cock	G1/4	21	34.5
GT-3	3/8 Gauge cock	G3/8	24	34.5
GT-4	1/2 Gauge cock	G1/2	29	37.5

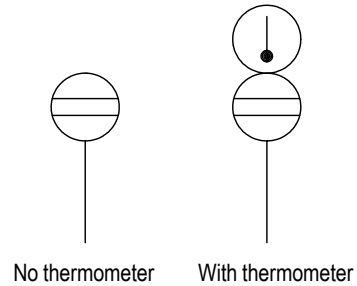
Dimensions

Model	Description	A	B	C
GT-3M	3/8 Gauge cock	G3/8	24	34.5
GT-4M	1/2 Gauge cock	G1/2	29	37.5

Oil level indicators with thermometer OLG T

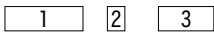


Functional Symbols



Model Code

OLGT 2 - 100

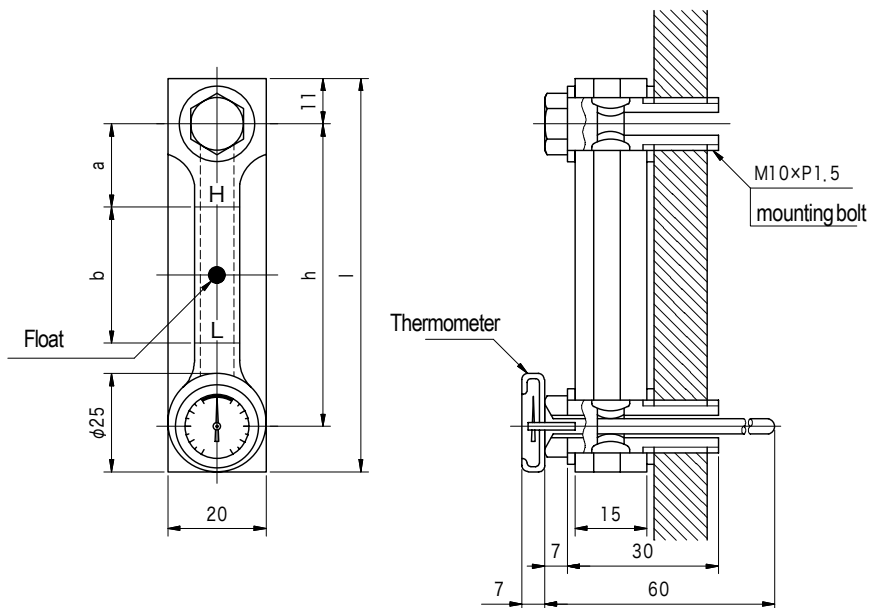


- 1 Oil level indicator
OLG:No thermometer
OLGT:With thermometer
- 2 Indicator marks
1:1 (H position only)
2:2 (H and L positions)
- 3 Mounting bolt center distance
100:100mm
200:200mm

Specifications

Material: acrylic resin
 Endurance temperature :85°C
 Temperature scale : 0°C~ +100
 Mounting bolt tightening torque:17~19N·m

Dimensions



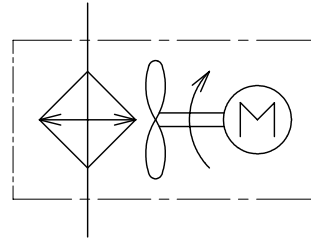
Dimensions

Model	l	h	a	b
OLG (T) 1-100	122	100	20	—
OLG (T) 1-200	222	200	30	—
OLG (T) 2-100	122	100	20	40
OLG (T) 2-200	222	200	30	60

Minifan coolers MF



Functional Symbol



• Mini-fan coolers are principally used to cool drain lines of variable displacement pumps.

Model Code

MF-2 - 100V - 30 - 01

1 2 3 4 5

1 Mini-fan cooler

2 Series

2:MF-2 Series

3:MF-3 Series

3 Fan motor voltage

100V:AC100V 50/60Hz single phase

200V:AC200V 50/60Hz single phase

4 Design no.

30:MF-2 Series

31:MF-3 Series

32:Wall mounted type (for strength, applicable to MF-2, MF-3 Series)

5 Control no.

01:Standard

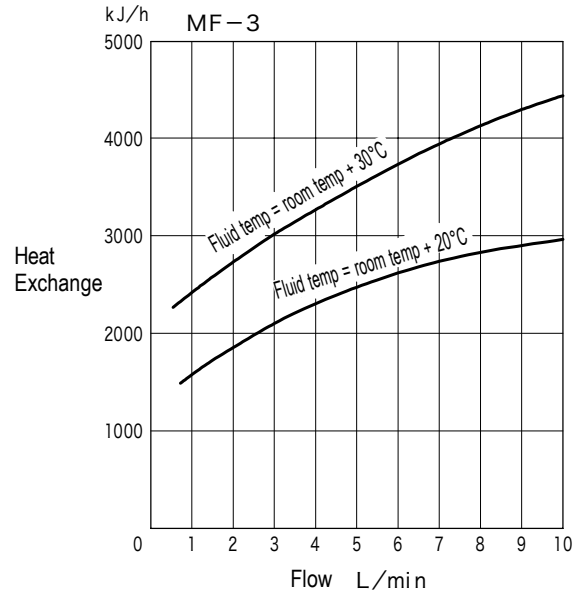
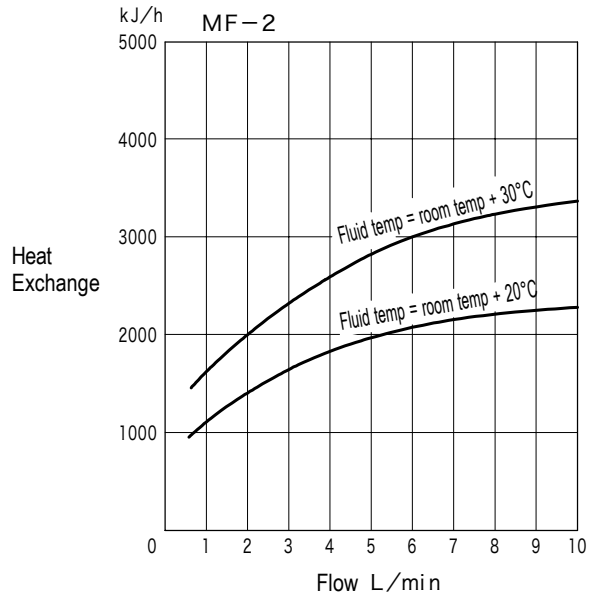
02:Port position opposite of standard (applicable to MF-2 Series)

Specifications

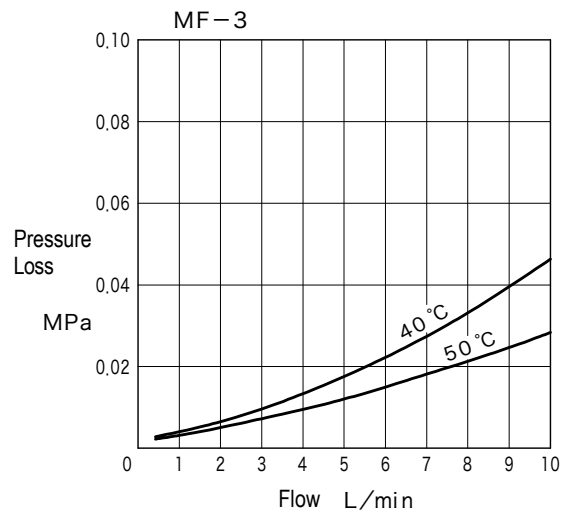
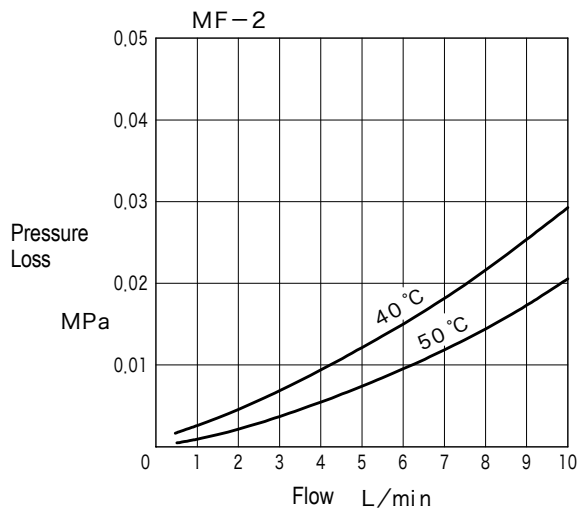
Model		MF-2	MF-3
Weight		3.5 kg	5.5 kg
Max. Operating Pressure		1 MPa	
Fan Motor	Type	Condenser motor	
	Electrical Specifications	100 V 50/60 Hz 50/48 W 0.62/0.52 A single phase	
		200 V 50/60 Hz 50/48 W 0.31/0.26 A single phase	
	Lead wire	With 0.5 mm ² 2 core 1 m	

Performance Curves (fluid ISO VG32)

Heat Exchange Performance - Flow Characteristics

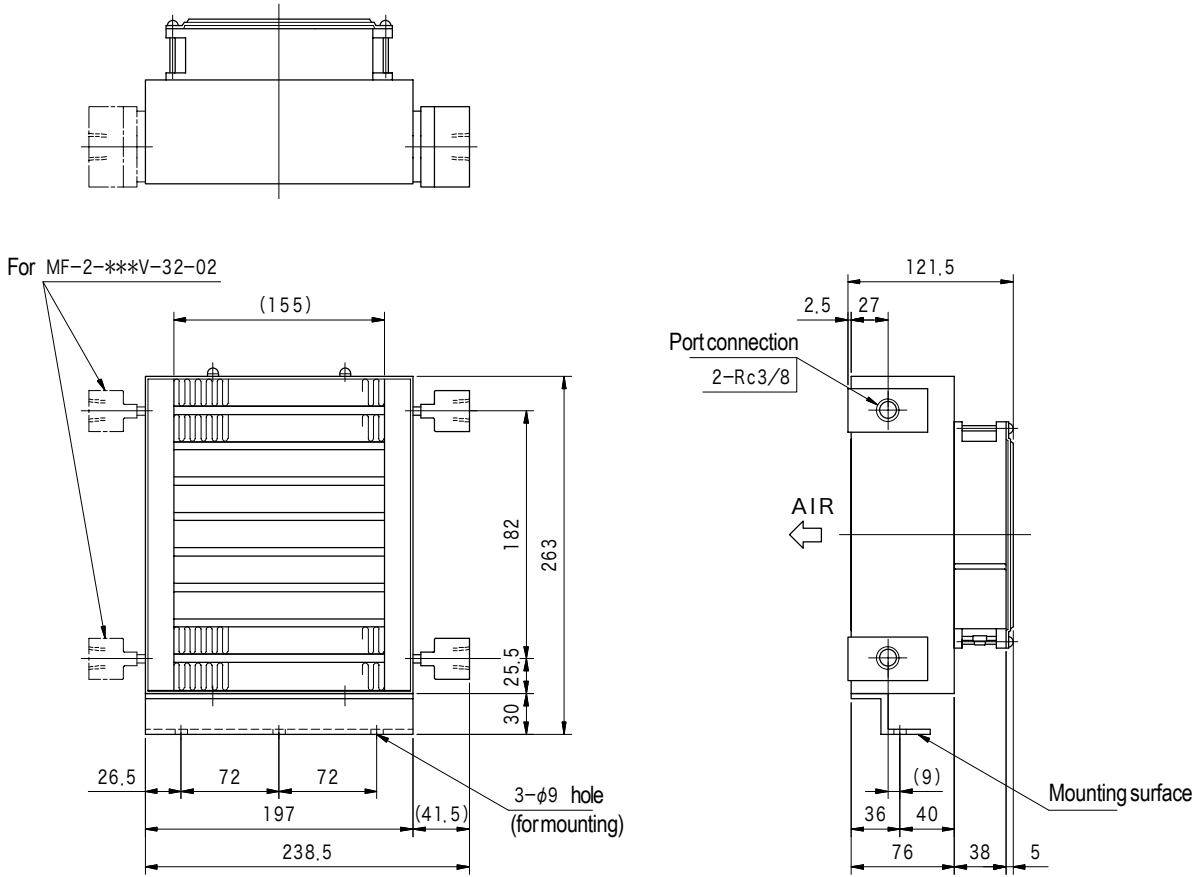


Pressure Loss - Flow Characteristics



Dimensions

MF-2-***V-30/32-01/02



MF-3-***V-31/32-01

